

# LINEAR STRIP LIGHT

## LSL Series

### ■ ADVANTAGE

- Wattage switchable :  
10W/15W/24W ( 2ft ) 24W/32W/40W ( 4ft )  
40W/50W/64W ( 8ft ) 64W/75W/90W ( 8ft )
- CCT switchable: 3500K/4000K/5000K
- Input voltage: AC100-277V
- Lumen : 130Lm/W
- PF > 0.90 , CRI > 80
- DLC 5.1 premium & ETL certification
- 5 years warranty
- Application: corridor, office, school, hospital, library, public room, utility areas etc



### ■ DETAILS

#### Features

- Easy to open the strip light for quick installation.
- Non-Yellow PC Lens.
- High-quality LEDs, provide bright and uniform lighting.
- High efficiency aluminum PCB to assure lifespan longer.
- Compatible with standard 0-10V dimmer.
- Linkable design for continuous row mount.
- Transparent end cap to make light without shadow when continuous row installation.
- Wattage & CCT switchable through DIP-switches.

#### Installations

- Suspend the strip light by using suspension wire.
- Surface mounted.
- Continuous row installation.

#### Certifications

- DLC premium.
- Comply with the requirements of the Standard(s) for Luminaires (CAN/CSA-C22.2 No. 250.0) and are identified with the cETL Listed Mark.

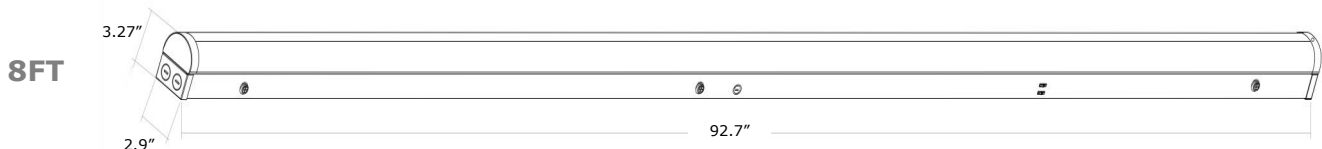
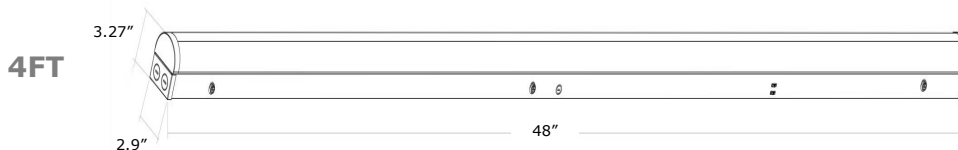
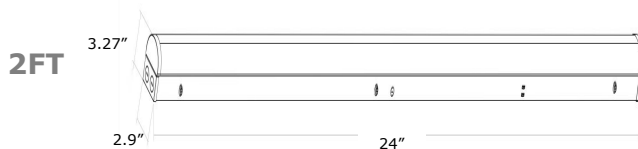
#### Accessories

- Emergency battery , motion sensor, surface mounted kits for option.

#### Warranty

- All products from DIMI LIGHT are guaranteed with 5 years' warranty.
- See Warranty policy from Dimi light for additional information.

### ■ DIMENSIONS



## SPECIFICATION

	MODEL	SIZE	WATT	CCT	LUMEN	EFFICACY
<input type="checkbox"/>	DM-ST2FT24WT-3545K-[blank,EM,MS,ES]	2ft	10W/15W/24W switchable	3500K/4000K/5000K switchable	3120Lm	130Lm/W
<input type="checkbox"/>	DM-ST4FT40WT-3545K-[blank,EM,MS,ES]	4ft	24W/32W/40W switchable	3500K/4000K/5000K switchable	5200Lm	130Lm/W
<input type="checkbox"/>	DM-ST8FT64WT-3545K-[blank,EM,MS,ES]	8ft	40W/50W/64W switchable	3500K/4000K/5000K switchable	8320Lm	130Lm/W
<input type="checkbox"/>	DM-ST8FT90WT-3545K-[blank,EM,MS,ES]	8ft	64W/75W/90W switchable	3500K/4000K/5000K switchable	11700Lm	130Lm/W

## ACCESSORIES

- |   |   |   |
|---|---|---|
| <input type="checkbox"/> Emergency Battery        | <input type="checkbox"/> Remote Controller            | <input type="checkbox"/> Junction Box Cover Plate |
| <input type="checkbox"/> Plug-in Microwave Sensor | <input type="checkbox"/> Microwave & Bluetooth Sensor | <input type="checkbox"/> Linkable Connector       |



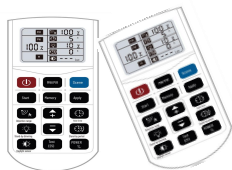
### Curved Plug-in Microwave Sensor

- DIMI patent product
- Curved design special for strip light
- Detection Distance:  $\geq 3m/9ft$
- Tiny Microwave Sensor with/out Bluetooth-Mesh
- Audio-Jack Classic Connection, 0-10V Dimming, with Daylight Harvesting



### Internal Emergency Battery

- UL listed approved
- Emergency power: 8W
- Charging time: 24 hours
- Illumination time: 90 minutes



### Remote Controller

- LCD screen display
- Memory and apply function
- Universal smart controller for dimmable sensor



### Junction Box Cover Plate

- To cover the ceiling hole
- Color: White electrical box cover



### Linkable Connector

- For continuous row installation
- Color: White steel



### Suspension Kit

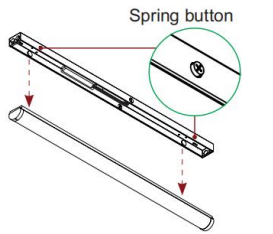
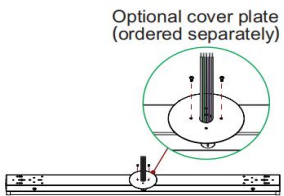
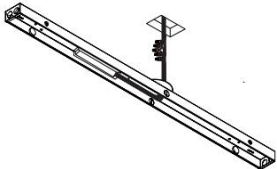
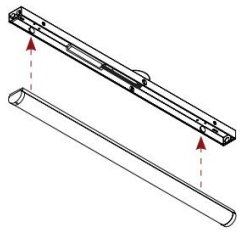
- For suspend the strip light
- Material: stainless steel

## PACKING INFO

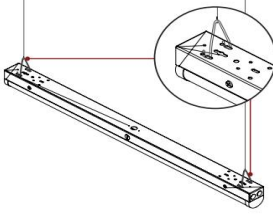
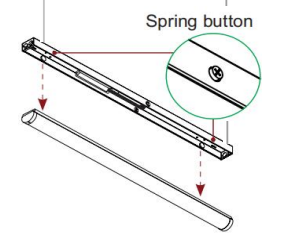
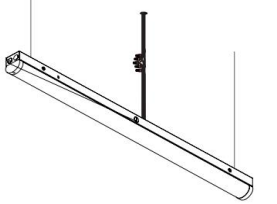
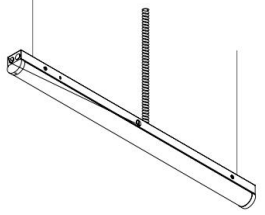
SIZE	4PCS/CARTON			CONTAINER		
	DIMENSION(INCH)	N.W(LBS)	G.W(LBS)	20'GP(PCS)	40'GP(PCS)	40HQ(PCS)
2ft	25.61"x7.80"x7.92"	8.82	11.02	4330	8968	10514
4ft	50.79"x7.48"x7.87"	16.53	18.08	2284	4732	5548
8ft	98.43"x7.91"x7.87"	35.27	39.68	1114	2308	2706

## INSTALLATIONS

### ❖ Surface mounted

 <p><b>Step1:</b> Install appropriate anchors into the ceiling or wall, if needed. Pinch spring buttons to remove the lens.</p>	 <p><b>Step 2:</b> Optional junction box cover plate may be used.</p>	 <p><b>Step 3:</b> Route power cord through cover plate and wire accordingly with wire nuts inside junction box.</p>	 <p><b>Step 4:</b> Replace the lens by pushing upward and secure with spring buttons.</p>
---	---	---	---

### ❖ Chain installation

 <p><b>Step1:</b> Attach aircraft cable to each hook and insert hooks into the mounting holes.</p>	 <p><b>Step 2:</b> Pinch spring buttons to remove the lens and connect wire (if needed) Route power cord and wire according to wire nuts inside junction box.</p>	 <p><b>Step 3:</b> Attach the aircraft cable to the ceiling and adjust lengths until luminaire is level and secure.</p>	 <p><b>Step 4:</b> Installation is completed.</p>
---	--	---	--

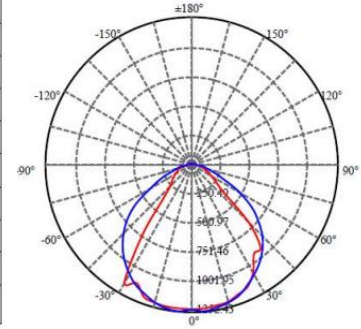
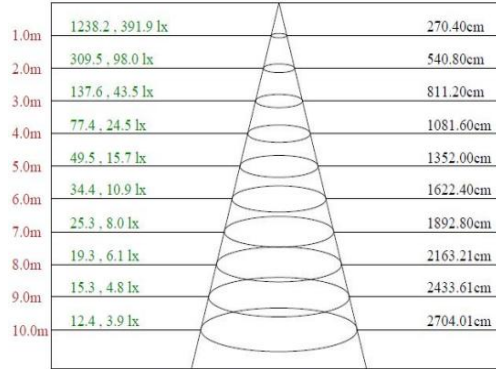
## APPLICATIONS



## PHOTOMETRIC DATA

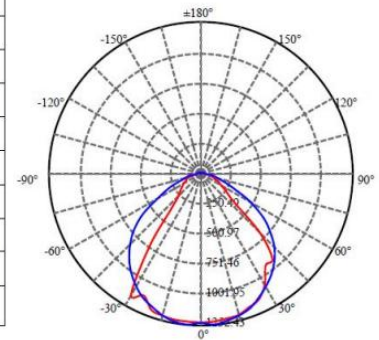
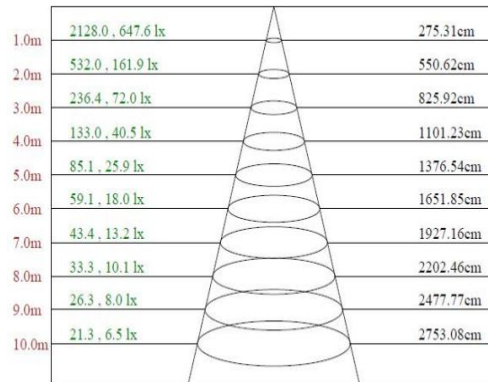
### DM-ST2FT24WT-3545K

Minimum Watt	10W
Maximum Watt	24W
PF	0.92
CRI	83
THD	10.9%
Lumen	3120 Lm
Efficacy (AC)	130 Lm/W
Minimum CCT	3500K
Maximum CCT	5000K
Voltage Range	100-277V



### DM-ST4FT40WT-3545K

Minimum Watt	24W
Maximum Watt	40W
PF	0.98
CRI	84
THD	13.1%
Lumen	5200 Lm
Efficacy (AC)	130lm/W
Minimum CCT	3500K
Maximum CCT	5000K
Voltage Range	100-277V



### DM-ST8FT90WT-3545K

Minimum Watt	64W
Maximum Watt	90W
PF	0.973
CRI	84
THD	11.8%
Flux	11700Lm
Efficacy (AC)	130lm/W
Minimum CCT	3500K
Maximum CCT	5000K
Voltage Range	100-277V

